

# PRODUCT SHEET

# Combiné L'Authentique



Non-binding picture






## Generous size, ready-to-build

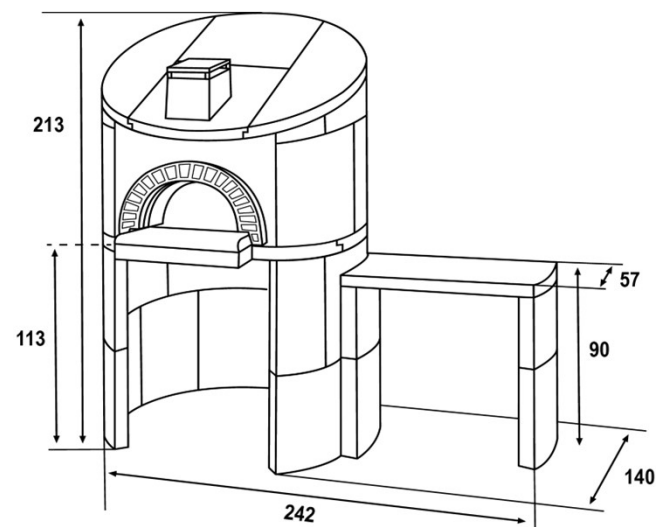
The most well-known Ephrem wood-fired oven in a design **ideal for a summer kitchen**. Ready-to-build kit featuring the Ephrem L'Authentique wood-fired oven and a traditional cladding design.

### Technical information

Inner diameter	90 cm
H x L x D	213 x 242 x 140 cm
Weight	2050 kg
Materials	Pozzolan
Warranty	5 years
Food-grade certificate	EN1388/1 Standard
Included	Siena arch, smoke drain, pozzolan floor, barbecue grid, steel door, roll of insulating fibre, legs and worktop
Optional	Cooking accessories

### Capacity

-  2 pizzas Ø33 cm per batch  
40 per hour
-  2 to 3 Ø30 cm dishes per batch
-  8 kg / batch
-  6 to 8 kg / heating
-  12 + guests



EPHREM FUSION - 5000 RN96 04180 VILLENEUVE - France  
(+33) 04 92 78 66 13 - contact@four-ephrem.com - four-ephrem.com

