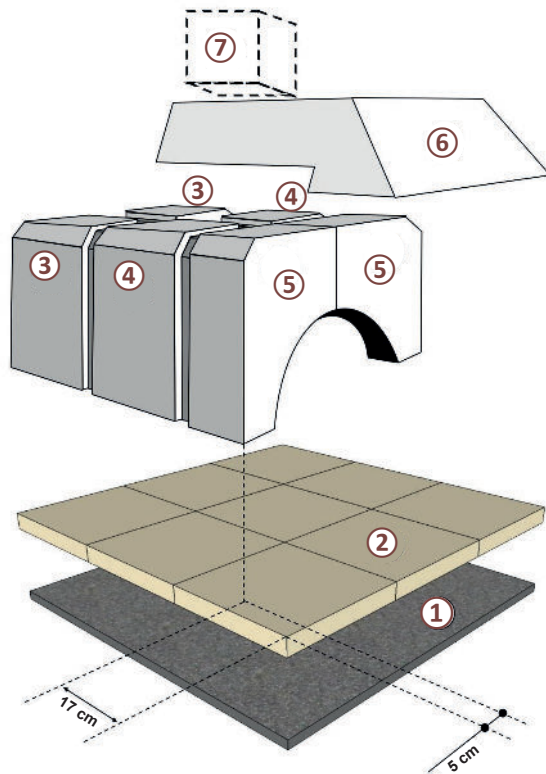
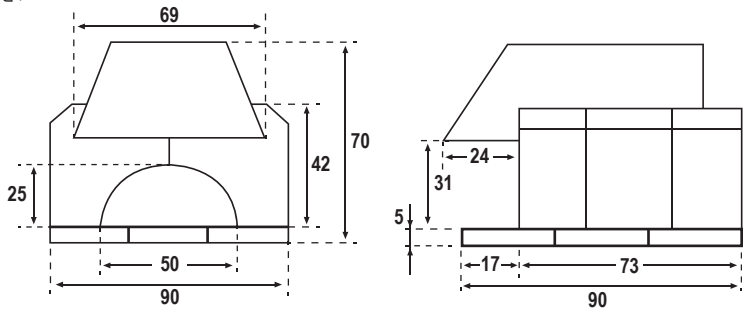


LE CARRÉ



EXPLODED VIEW

Total weight: 320kg
Packaged on a pallet measuring 100x120 cm

ASSEMBLY INSTRUCTIONS

INCLUDED ACCESSORY



Steel door



For domestic use only

Step 1: Trim elements if needed with a wood rasp.

Step 2: Build a concrete slab measuring at least 130 (width) x 120 (depth) x 10 (thickness) cm and let it dry for at least 15 days. Create a thin bed of lean mortar ① (2 to 3 cm thick) using standard cement (the recommended ratio is one part cement to six parts sand). Place the 9 slabs moistened beforehand ② on top of the mortar bed, ensuring they are properly aligned and that the top surface is leveled. Remove any excess mortar from around the base. **Allow the floor to dry for 24 to 48 hours before proceeding.**

Step 3: Position the rear components ③ according to the indicated arrangement.

Step 4: Join the side elements ④ and the two front elements ⑤ together without jointing them.

Step 5: Position the smoke drain ⑥ on a bed of refractory mortar.

Step 6: The marking ⑦ represents the location for the start of the chimney, which can be created in two ways:

- Using flue tiles measuring 20x20 cm (for the 3rd tile and upwards, additional support is required)
- Alternatively, by installing a connection pipe (available as an optional accessory) and connecting a stainless steel flue with an inside diameter of Ø200 mm.

Step 7: Build a wall surrounding the oven using 10 cm bricks or breeze blocks, ensuring a 5 cm gap is maintained between the wall and the oven, and a 7 cm gap in the depth.

Step 8: Wrap the oven with flexible rolls of rock wool/ceramic wool (10 cm thickness) or opt for Ephem fibre insulation (available as an additional option). Afterward, cover the insulation layer with:

- Either a generous 15 cm layer of vermiculite concrete,
- Or use O/4 dry sand to reach a height of 15 cm above the oven arches.

Step 9: Build a protective shelter for the oven to shield it from the elements, ensuring there is approximately a 20 cm gap between the shelter and the top of the oven insulation, creating a decompression chamber with vents.

WARNING: DO NOT USE ALCOHOL, GASOLINE, OR SIMILAR FLAMMABLE LIQUIDS TO IGNITE OR REKINDLE THE FIRE



LE CARRÉ

EASY-TO-INSTALL OVEN

DIRECTIONS FOR USE



6 to 8 kg / heating cycle



1 to 2 Ø30 cm dishes per batch



1 Ø33 cm pizza per batch
20 per hour



6 kg per batch

INSTRUCTIONS TO FOLLOW WHEN USING THE OVEN

- During assembly, it is recommended to have two people to carry the components, as they can weigh up to 60 kg.
- **Do not use the oven until the insulation has been installed.** During the initial heating of the oven, ensure that the flame does not reach the arches for a minimum of two days. Start the fire at the rear of the oven, beginning with a few twigs and gradually adding more. Then, add larger logs to allow the oven to heat up. Keep the flame from rising into the smoke drain.
- Cracks may occasionally occur, but these are part of the natural expansion process and should not affect the proper functioning of the oven.
- Only use dry, untreated wood for your fire, avoiding any wood from demolition or industrial sources, whether painted or unpainted. Do not use any flammable products.
- The oven is specifically designed for cooking food and is certified to standard EN1388/1. Therefore, EPHREM FUSION cannot be held responsible and will not provide any warranty if the oven is used for any other purpose. When cooking food in the oven, appropriate oven gloves should be worn to avoid skin burns.
- Smoke extraction system must be in accordance with NF DTU 24-11 P1 (O2/2006 + A1 : 12/2011) standards.
- Flammable materials and equipment should be kept at least 25 cm away from the sides of the oven or shielded from the heat radiation emitted by the oven.

ACCESSORIES AVAILABLE FOR PURCHASE AS OPTIONS



Wooden pizza peel



Stainless-steel pizza peel



Brass bristle brush



Steel scraper



Barbecue grid



Chip tray



T° 0-300 °C
to place on the floor
of the oven



T° 0-500 °C
to install on the steel door

OPTIONAL EMBELLISHMENT



Cast iron facade with
double swing door

FOR THE PIZZAS

Preheat the oven for approximately 1 hour using 4 to 7 logs. Once the embers have formed, distribute them in an even arch along the sides and bottom of the oven to ensure uniform heat distribution across the hearth. It is recommended to use dry, hard woods like oak or beech, while avoiding softwoods that may cause clogging. Clear any debris from the surface, place the pizza on the floor, and bake for around 2 minutes.

FOR THE GRILLED FOOD

Reduce the number of embers slightly and distribute them to the side(s) of the oven. Carefully place the grilled food on the barbecue grill, taking note that it cooks rapidly. Towards the end of the cooking process, move the embers back to the center to burn off any remaining grease. Additionally, you have the option to position a cast iron dish beneath the grill to collect any cooking fat.

FOR THE BREAD

Heat the oven until the dome formed by the arches becomes white. Remove the embers and let the temperature gradually decrease (bread typically bakes at a range of 230 to 250°C). Once the desired temperature is reached, carefully place the bread inside the oven and close the door.

FOR COOKINGS REQUIRING A DISH

For roasts, chickens, casseroles, and other similar dishes, preheat the oven as you would for pizzas. Place the dish inside the oven, covering it with aluminum foil to protect the center of the dish (for roasts, remember to turn and baste from time to time). Towards the end of cooking, remove the aluminum foil to allow browning.

NB: Grilled food and pizzas are cooked with an open door. On the contrary, bread, pies and slow-cooked dishes (such as pot-au-feu, daube, etc.) are cooked with a closed door and the embers must be removed.

Our ovens are covered by a 5-year warranty and are certified to meet the EN1388/1 standard, ensuring their suitability for use with food.

WARRANTY: Our ovens are covered by a 5-year warranty starting from the delivery date, provided that our assembly instructions have been followed. This guarantee exclusively covers the replacement of faulty parts (the customer is responsible for the transportation costs of these parts). We are not liable for the assembly or disassembly of the oven and cannot provide coverage for any associated costs. Additionally, we will not be responsible for the expenses related to the replacement of defective parts or for any damages incurred during this process, regardless of the cause.