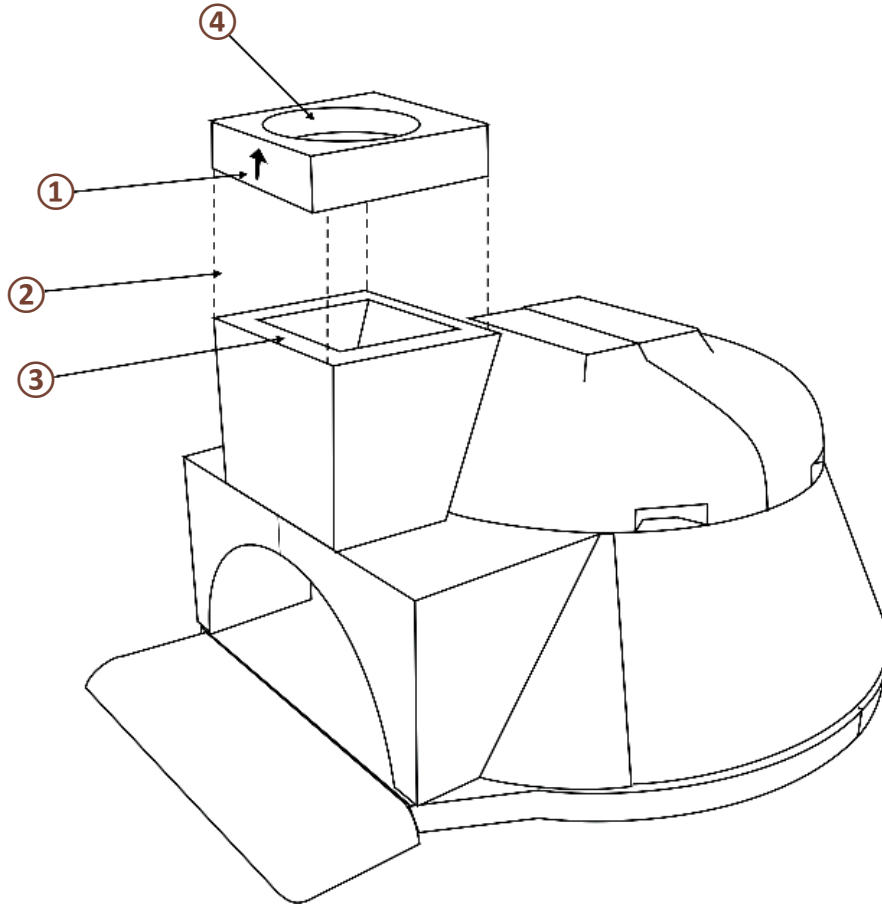


CONNECTION PIPE FOR SINGLE STEEL/STAINLESS STEEL PIPE Ø 200 MM

Suitable for all Ephrem ovens except Le Nomade 120



Connection pipe weight: 7.7 kg
Dimensions: 29.5x28x7 cm

EXAMPLE OF ASSEMBLY ON THE AUTHENTIQUE PIZZAIOLO

Step 1: To determine the ideal position of the connection pipe for your oven model, center the inner circle on the smoke drain (or duct shutter, or chimney tile). Ensure that the arrows point upwards, as they indicate the direction of the smoke drain ①. Do not extend the connection pipe beyond the front of the oven ②.

Le Carré model: the connection pipe is adaptable to any position.

Step 2: Once the position has been determined, use a refractory mastic/mortar to securely attach the connection pipe to the smoke drain (or duct shutter, or chimney tile) ③.

Step 3: Insert the stainless steel/steel pipe into the connection pipe and apply refractory mastic to seal it ④.

IMPORTANT

- Do not switch on the oven until the insulation has been installed.
- Exhaust system must be in accordance with NF DTU 24-1 1 P1 (O2/2006 + A1: 12/2011) standards.

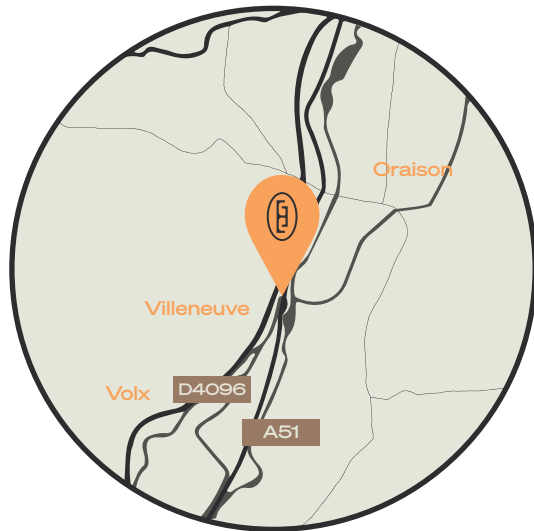
WARRANTY: The warranty for our connection nozzles extends for two years from the date of delivery. This guarantee exclusively covers the replacement of faulty parts (with the customer responsible for the transportation costs of these parts). We are not liable for the assembly or disassembly of the oven and cannot provide coverage for any associated costs. Additionally, we will not be responsible for the expenses related to the replacement of defective parts or for any damages incurred during this process, regardless of the cause.



Prefabricated and customisable
ovens made in our workshops in
Haute Provence, France

Visit us

5000, RD 4096
04180 Villeneuve
FRANCE



Send us pictures of your oven!

Contact us

+33 492 78 66 13

CONTACT@FOUR-EPHREM.COM

FOUR-EPHREM.COM

Find us on social media:

@ephrem_fusion

Four Ephrem

@fourephrem

@fourephrem



ASSEMBLY INSTRUCTIONS